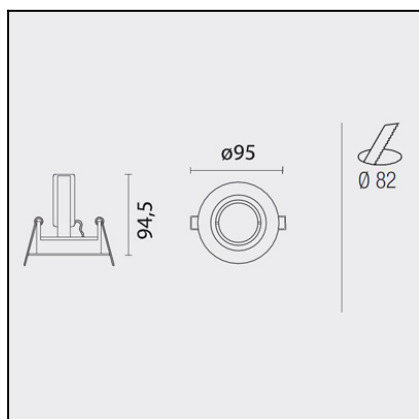




The photograph may not match the reference exactly. Please read the product description to identify the finish.



Description

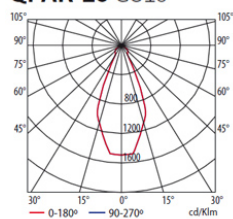
Small group of recessed downlights. Round body produced in 100% cast aluminium, steel clips and surrounds in different finishes (white, grey and brushed aluminium) in corrosion and rust resistant paint. Suitable for halogen lamps and LED lamps. Various models depending on sizes, angle of direction (two fixed models and two rotating ones) and level of visual comfort. Mounting clips included in the unit can be adjusted without the need for additional tools.

TECHNICAL CHARACTERISTICS

Type:	DOWNLIGHT RECESSED
Adjustable:	Adjustable $\pm 20^\circ$ on the horizontal axis.
IP Protection degrees:	IP23
Light source 1:	1 x GU10 50W
Total power consumption (W):	50
Voltage / Frequency:	220-240V/50-60Hz
Warranty (Years):	2
Units per box:	100
Net Weight (Kg):	0.14
EAN:	8435111080955



QPAR-16 GU10



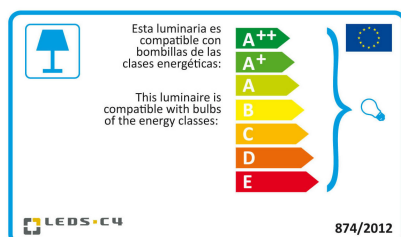
H (m)	Emed (lux)	D (m)
1	733	1.5
2	183	3
3	81	4.48
4	46	5.98

$\eta = 100\%$

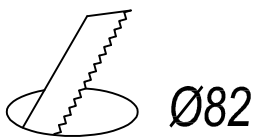
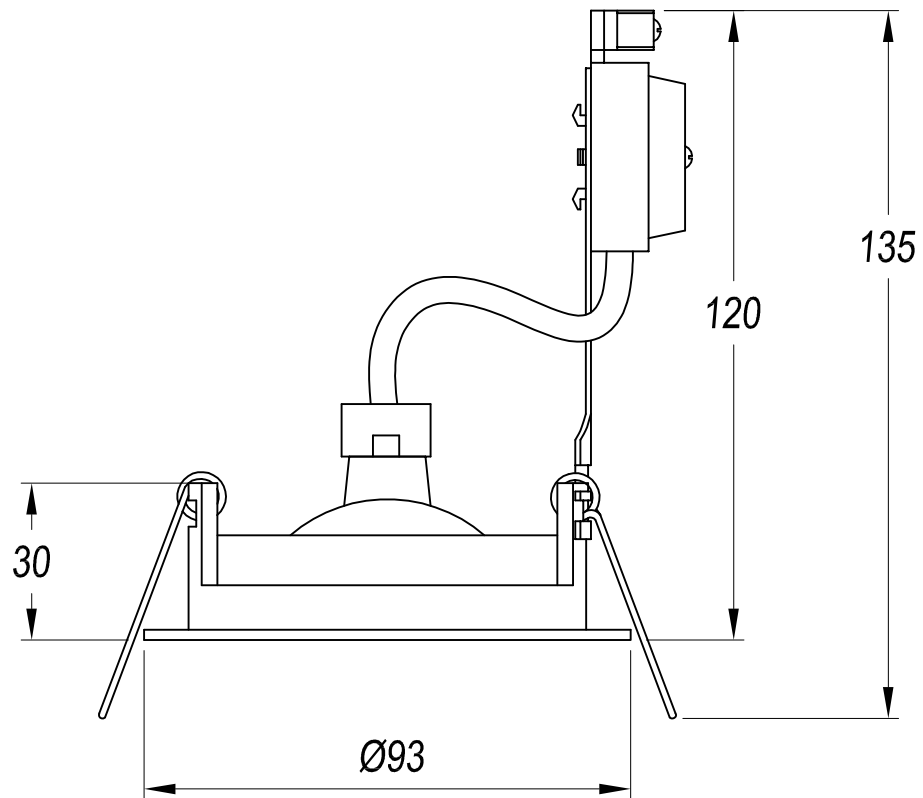
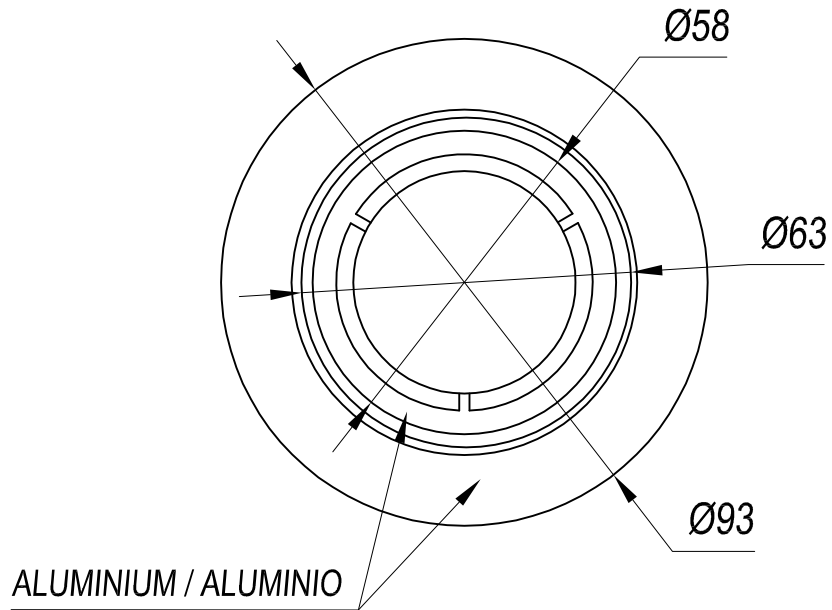
MATERIALS / FINISHES

Structure material: Aluminium
Structure finish: Brushed

Download photometric file .ldt /.ies



Click on image to download energy label



REF.	⌀	LAMP	SOCKET	IP20
DN-0526-14-00	Ø82	GU10 max.50W	GU10	<input checked="" type="checkbox"/> <input type="checkbox"/>
DN-0526-S2-00	Ø82	GU10 max.50W	GU10	<input checked="" type="checkbox"/> <input type="checkbox"/>

